

USE, CARE, AND INSTALLTION GUIDE

Please read all manual carefully before installing and operating this appliance.

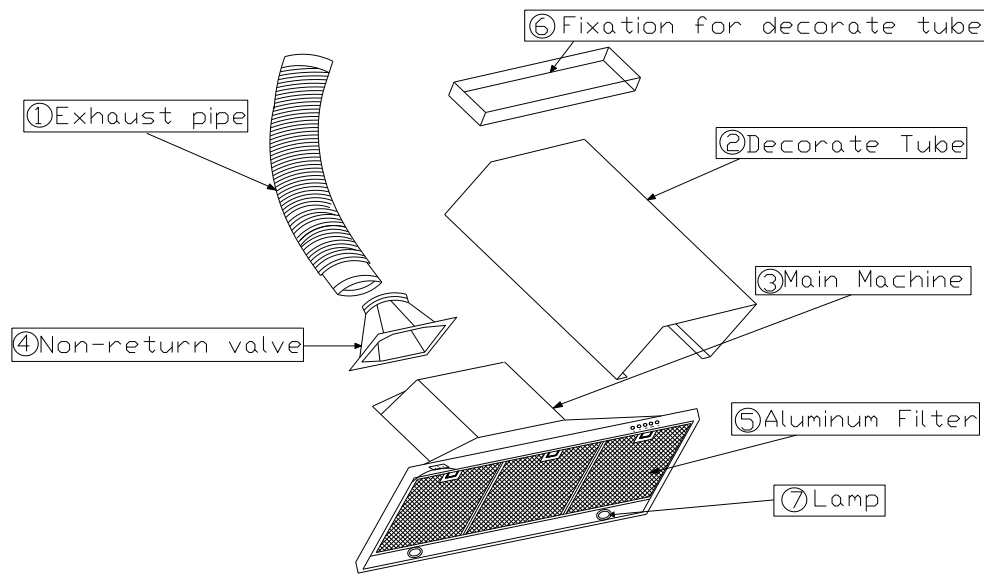


CONTENTS

1. Product introduction
2. Installation
3. Technical parameters
4. Maintenance
5. Cautions

1. Product introduction

Thank you very much for choosing our range hood. Our company has developed a series of range hoods on the basis of assimilating the advantages of high volume of air, lower noise and elegant appearance.



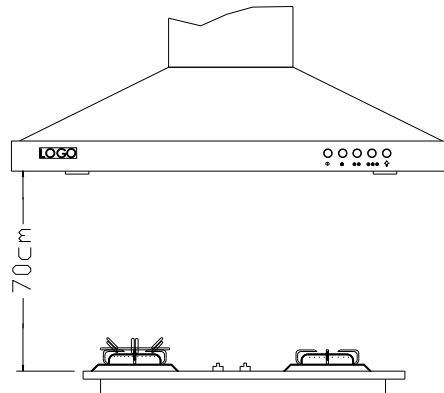
Production Configuration

1	Exhaust pipe	4	One-way valve	7	Lamps
2	Decorative cover	5	Aluminum filters		
3	Machine body	6	Bracket for decorative tube		

2. Installation and Operation

1) Position the range hood on the center of cooking stove wall. For best results, the mounting height of the range hood should be 65-75cm (25"-30") above the top of the

range. Mark the position of the holes, which need to be drilled in order to mount the range hood.



- 2) According to marks, drill two holes appropriate for heavy duty wall anchors and screws (not included) . Mount the range hood on the wall with the two screws and anchors and tighten.
- 3) Install the one-way valve on top of the range hood and assemble the exhaust pipe and decorative cover.
- 4) Affix the decorative cover with two M4 tapping screws on the hood body.
- 5) Make sure all switches are off and then insert the electrical plug into an outlet.

3. Technical parameters

ITEM	unit	parameter
Rated Voltage	V	110V / 220V
Rated frequency	Hz	50 / 60
Motor input power	W	198
Lamp power	W	≤4X20
Air volume	m ³ /min	9.5~15

Air pressure	Pa	>160
Noise level	dB(A)	<70
Air output diameter	mm	150

4. Maintenance

1) Make sure to pull out the plug and cut off the power before maintenance to ensure your safety.

2) Clean the inside and outside of the range hood with warm water containing neutral detergent, then dry them with a piece of dry cloth. Do not scrub them with rough materials such as cleansing ball to avoid damages to the surface. Put on gloves to avoid injuring your hands when cleaning the inside. The cleaning can be done once half a month to a month.

3) Do not crush the wind wheel when cleaning the inside of the wind track of the wind wheel to avoid the deformation of the wind wheel. Otherwise the movement will be increased, which will result in more noise and influence the effect of absorbing the oil-smoke.

4) Frequent cleaning of the filter shall be done. First press the spring on the edge of the filter to dismantle the filter, dip it into strong detergent and brush its surface with soft brush; then hold the filter with both hands and move it up and down in the detergent, clean it with clean water, after which dry it by airing and install it as what it is as before. The cleaning can be done once a week. Do not clean it with combustible detergent such

as banana oil and gasoline.

5. Cautions

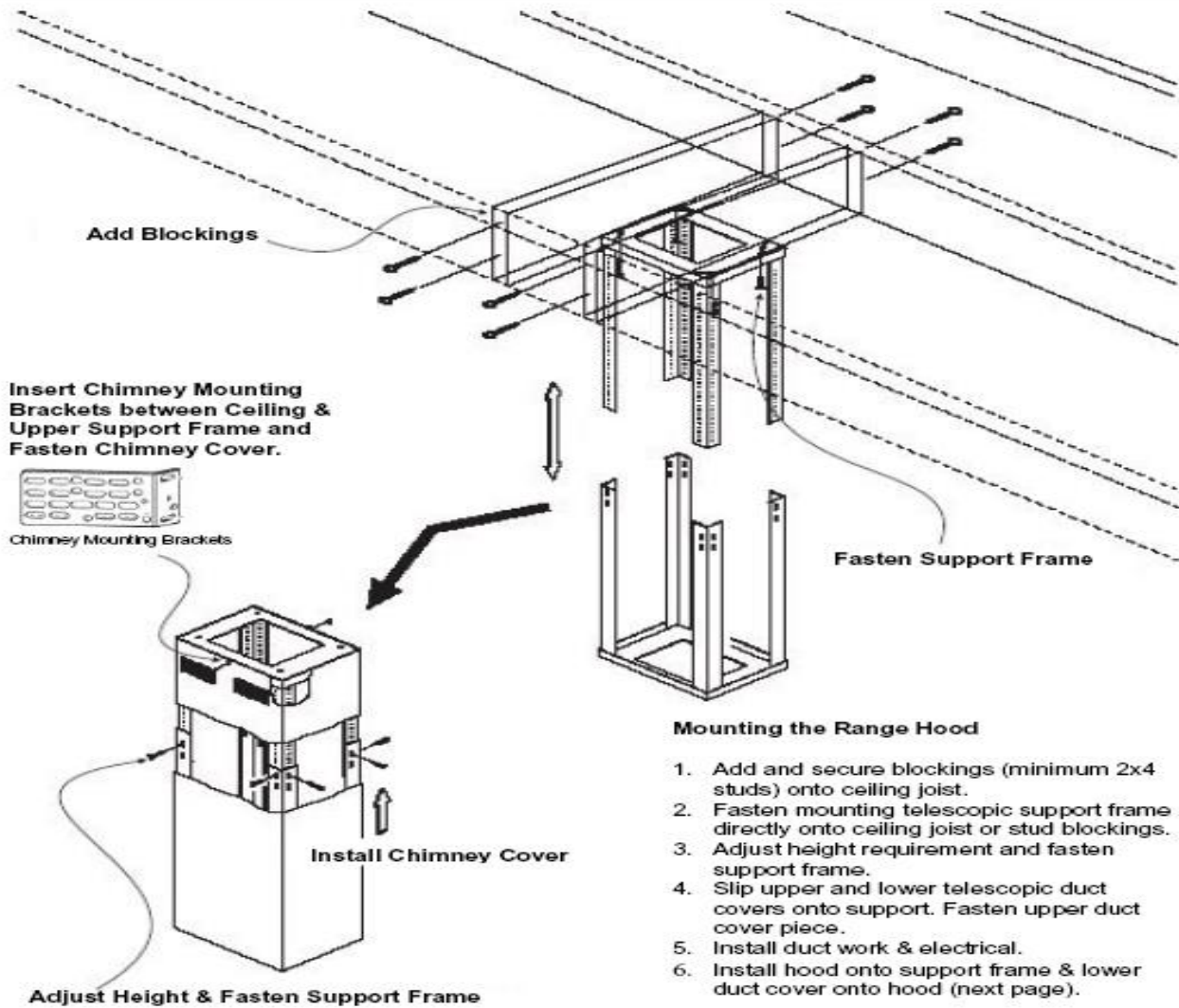
- 1) Do not attempt to install this appliance yourself without appropriate electrical and technical background.
- 2) When maintaining this range hood or changing a light bulb, please be sure that all power switches are in the off position.
- 3) Do not let the detergent flow into the electric appliance box and the switches when cleaning the inside of the range hood to avoid leaking electricity.
- 4) Do not flambe under the range hood.
- 5) There is a fire risk if cleaning is not carried out according to the instructions.
- 6) Cut off all the circuits with power before approaching the connection ends.
- 7) This appliance is not intended for use by young children and infirm persons unless they have been adequately supervised by a responsible person to ensure that they can use the appliance safely.
- 8) Young children should be supervised to ensure that they do not play with the
- 9) There should be adequate ventilation of the room when the range hood is used at the same time as appliance burning gas or other fuels.
- 10) The air must not be discharged into a flue that is used for exhausting fumes from appliances burning gas and other fuels.
- 12) The minimum distance between the supporting surface for the cooking vessels on

the hob and the lowest part of the range hood, when the range hood is located above a gas appliance. This distance should be at least 70mm. If the instructions for installation for the gas hob specify a greater distance this has to be taken into account.

13) Regulations concerning the discharge of air have to be fulfilled.

14) Warning: If the supply cord is damaged, it must be replaced by the manufacturer, its service agent or a similarly qualified person in order to avoid a hazard.

INSTALLATION



INSTALLATION

